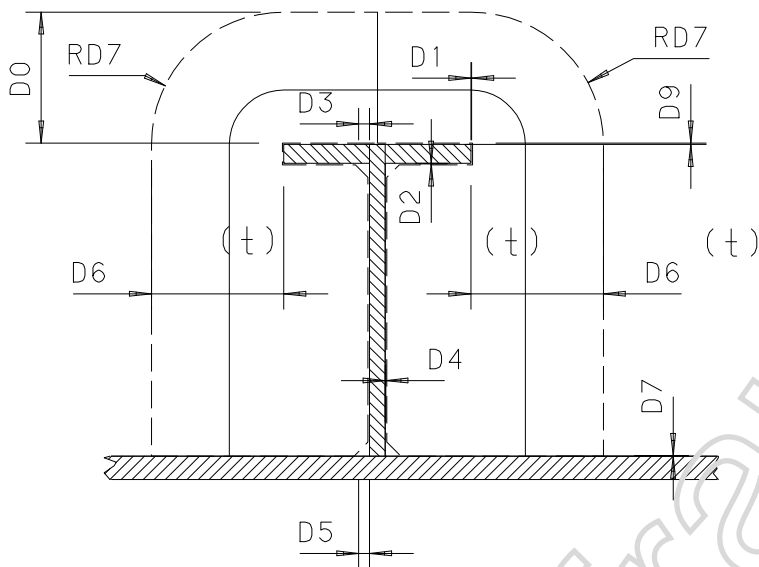


A Clip 070 for symmetric and asymmetric T-Bars
Collar plate double sided



Clip-Type No.: 070, 700, 770
 Macro name: clip_070_t_csr.gml
 Available Profile Types: 35, 40, 43
 Available Profile Range: All
 Available Cutout-Types: 512
 Available Clip Locations: CT1, CT2

all Profile Sizes	
D0	85
D1	1
D2	1
D3	10
D4	1
D5	10
D6	85
D7	0
D9	1
RD7	85

REMARK:

Thickness and quality of clip equal to penetrated plate if not stated otherwise in input data.

AUFTRAGS-NR.		BLATTGR.		MASSTAB	1:5	BLATT-Z:	BLATT-NR:
		A4					
REG.-NR.		DATUM	NAME	BENENNUNG			
		BEAR.	SFR	Clip 070 for T-Bars Collar Plate Double Sided			
		GEPR.					
		NORM					
		ABT.	TEL.				
TIB-NR.		STEFFEN FRANCK		ZEICHN.-NR.			
		Schiffbauliche Projektierung, Konstruktion, Koordinierung und Beratung		1013-03-000			